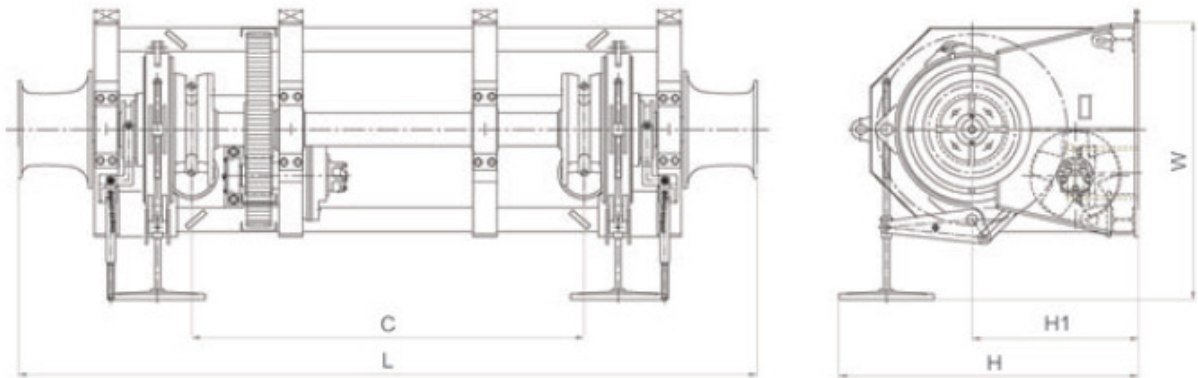
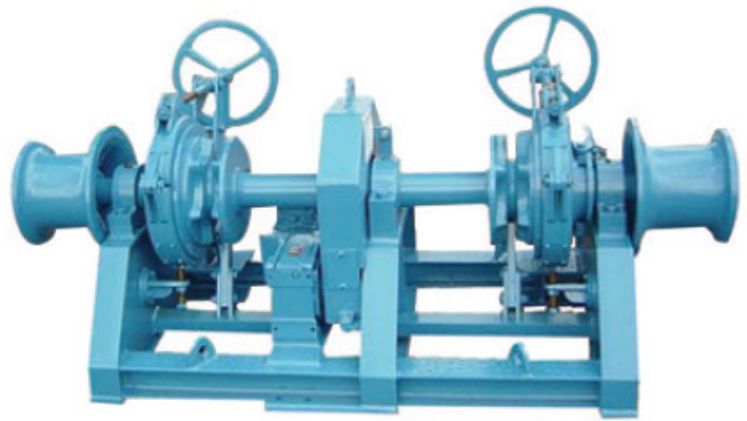


# Windlass



Model No.	Rated Pull (kNxm/min.)	Chain Size (mm)	Over Load (kN)	Brake Holding (kN)	Overall Dimension (mm)			
					C	W	H	L
SOE-WL-H-19	15x10	19	22.5	95.0	1000	950	850	2150
SOE-WL-H-20	18x10	20.5	27.0	110.0	1000	950	900	2250
SOE-WL-H-22	20.5x10	22	31.0	126.0	1000	950	900	2350
SOE-WL-H-24	24.5x10	24	37.0	149.4	1000	950	950	2450
SOE-WL-H-26	28.5x10	26	43.0	175.0	1000	950	950	2550
SOE-WL-H-28	33.5x10	28	50.5	202.0	1000	950	950	2650
SOE-WL-H-30	38.5x10	30	58.0	231.4	1000	950	1000	2750
SOE-WL-H-32	43.5x10	32	65.5	262.5	1150	1150	1000	2850
SOE-WL-H-34	49.0x10	34	74.0	294.9	1150	1150	1000	2950
SOE-WL-H-36	55.0x10	36	83.0	329.5	1150	1150	1150	3050
SOE-WL-H-38	61.5x10	38	92.5	365.5	1300	1150	1150	3150

Up to  $\Phi 120$ mm chain / Single, double gypsy / Electrical, Electrical-hydraulic / Customized