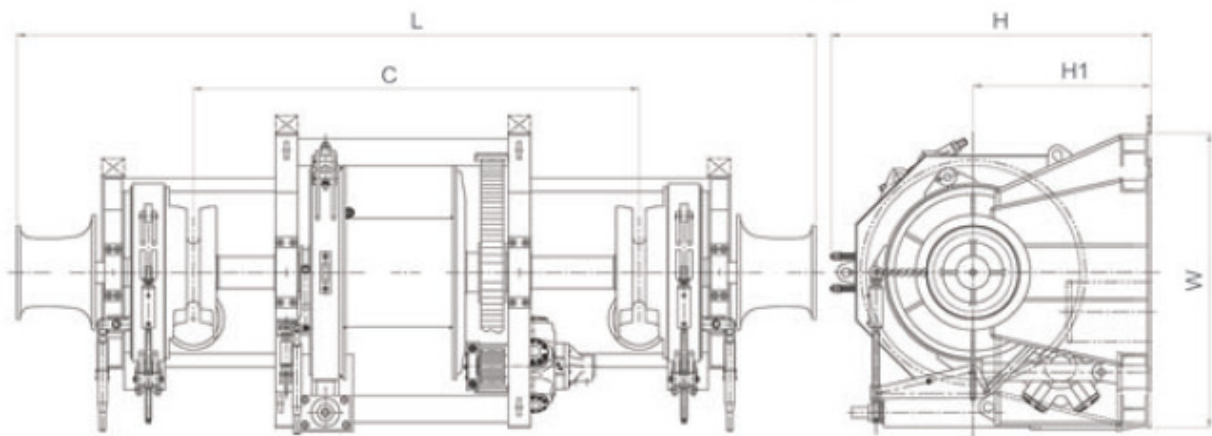


Windlass Towing Winch



Model No.	Rated Pull (kNxm/min.)	Drum Capacity (m)	Brake Holding (kN)	Overall Dimension (mm)			
				C	L	W	H
SOE-WLTW-H-19-05	50	150	600	2100	3750	2000	1800
SOE-WLTW-H-20-05	50	150	600	2100	3750	2000	1800
SOE-WLTW-H-22-05	50	150	900	2200	3850	2000	1800
SOE-WLTW-H-24-10	100	150	1150	2200	3850	2250	2000
SOE-WLTW-H-26-10	100	150	1150	2200	3850	2250	2000
SOE-WLTW-H-28-10	100	150	1150	2200	3850	2250	2000
SOE-WLTW-H-30-10	100	150	1450	2200	4050	2350	2250
SOE-WLTW-H-32-10	100	150	1450	2200	4050	2350	2250
SOE-WLTW-H-34-10	100	150	1450	2200	4250	2350	2250
SOE-WLTW-H-36-10	100	150	1450	2200	4250	2350	2250
SOE-WLTW-H-38-10	100	150	1450	2200	4350	2450	2350

Up to $\Phi 120$ mm chain / Single, double gypsy or drum / up to 20 ton for drum / Electrical,