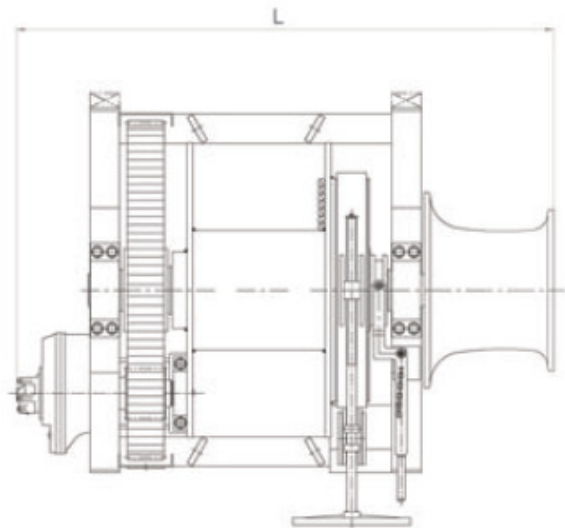
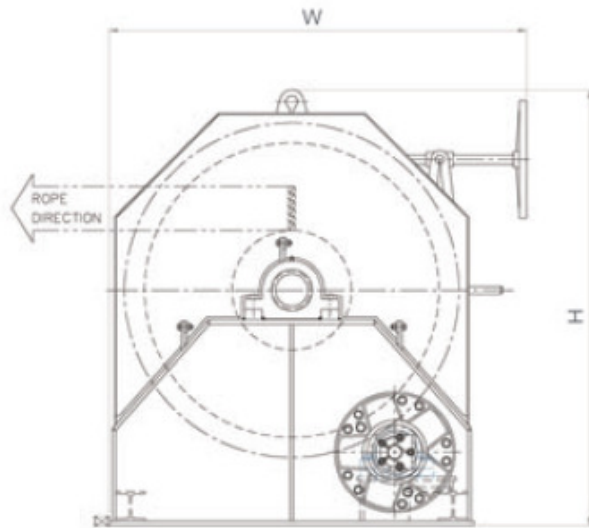
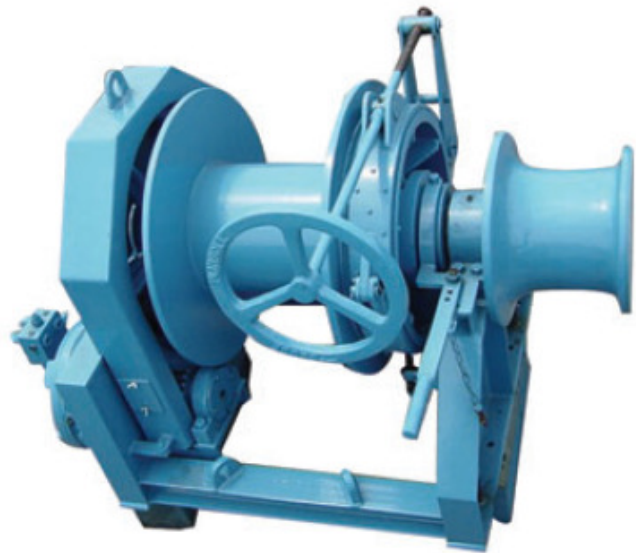


Tugger Winch



Model No.	Rated Pull 1 st (kN)	Drum Capacity (DIA. xm)	Brake Holding (kN)	Overall Dimension		
				L	W	H
SOE-TGW-H-05	50	18x180	75	1550	1150	1050
SOE-TGW-H-08	80	18x210	120	1650	1350	1150
SOE-TGW-H-10	100	19x250	150	1750	1550	1250
SOE-TGW-H-15	150	24x300	225	1850	1750	1350
SOE-TGW-H-20	200	26x350	300	1950	1950	1400

Rated pull up to 200 kN / Single, double drum / Electrical, Electrical-hydraulic / Customized