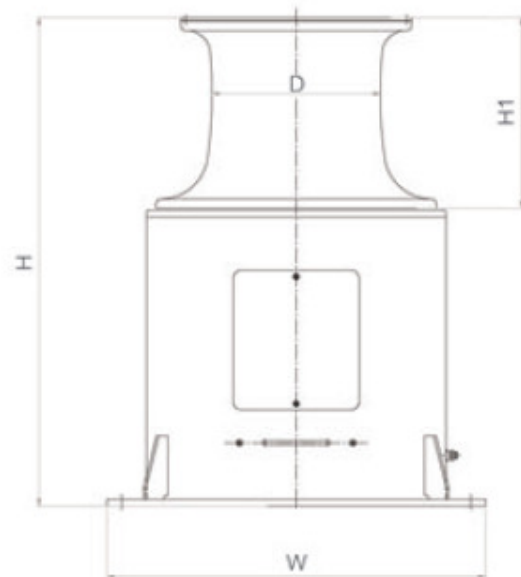
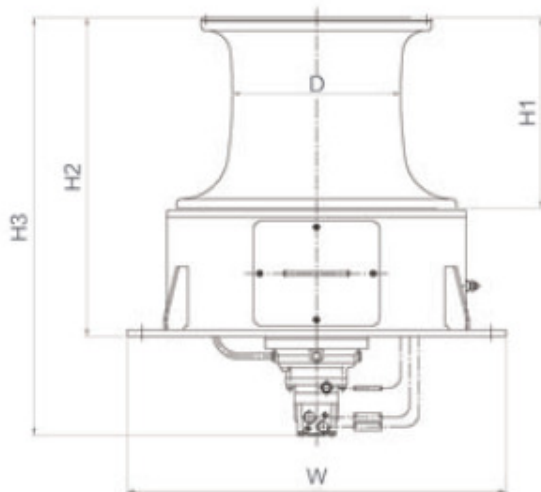


# Capstan



Model No.	Rated Pull (kN)	Speed (m/min.)	Overall Dimension (mm)				
			D	H	H1	H2	W
SOE-CP-05	50	14	420	1180	450	910	1150
SOE-CP-08	80	14	420	1280	450	1120	1150
SOE-CP-10	100	14	600	1380	675	1120	1450
SOE-CP-15	150	14	600	1480	675	1250	1450
SOE-CP-20	200	14	600	1580	675	1250	1500

Rated pull up to 200 kN / Single, double drum / Electrical, Electrical-hydraulic / Customized